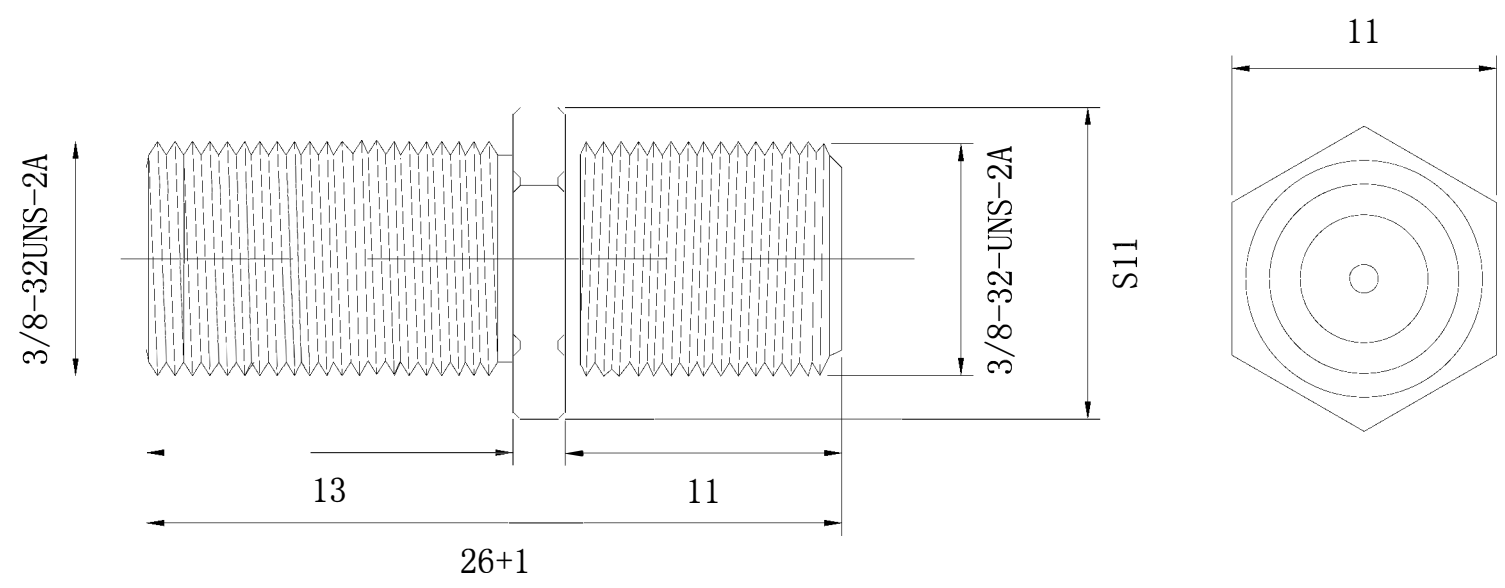


3	1	Insulator	1	PE
2	1	Conductor	1	BeCu
1	1	Body	1	Bronze Nickel Plating, Silver color
Serial no.	Description	Quantity	Materials	



RoHS 2015/863/EU

Specification	
Charateristic Impedance	75 Ohm
Frequency Range	0-3 Ghz
Operating Voltage	250V RMS
Contact Resistance:	
Inner Conductor	≤ 5m Ohm
Outer Conductor	≤ 5m Ohm
Insulation Resistance	≥ 1500 Mohm
Mating Force	≥ 0.28N
Vibration	150m/S ( 10-2000 Hz)
Withstand Voltage	750V RMS
VSWR	< 1.15 dB
Insertion Loss	0.1dB at 3Ghz
Durability	200 Cycles
Operating Temperature	-35 to +85C

# FrelTec GmbH

Description	Female to Female Coax Connector	Customer	
Order Code	2B5FAFBBPENUSIQEYYY	REV.	A
CUSTOMER P/NO		Proportion	NO
DWG BY:	ZILIANG.LUO	Unit	mm
CHECK BY:	LIANG.ZHUO	Projection	
APPROVAL BY:	SW.MO		

A	FIRST REV.	2020.03.13
REV.	Change No.	Change content
	REV. Control	DATE

A  
B  
C  
D

A  
B  
C  
D

1

2

3

4

5