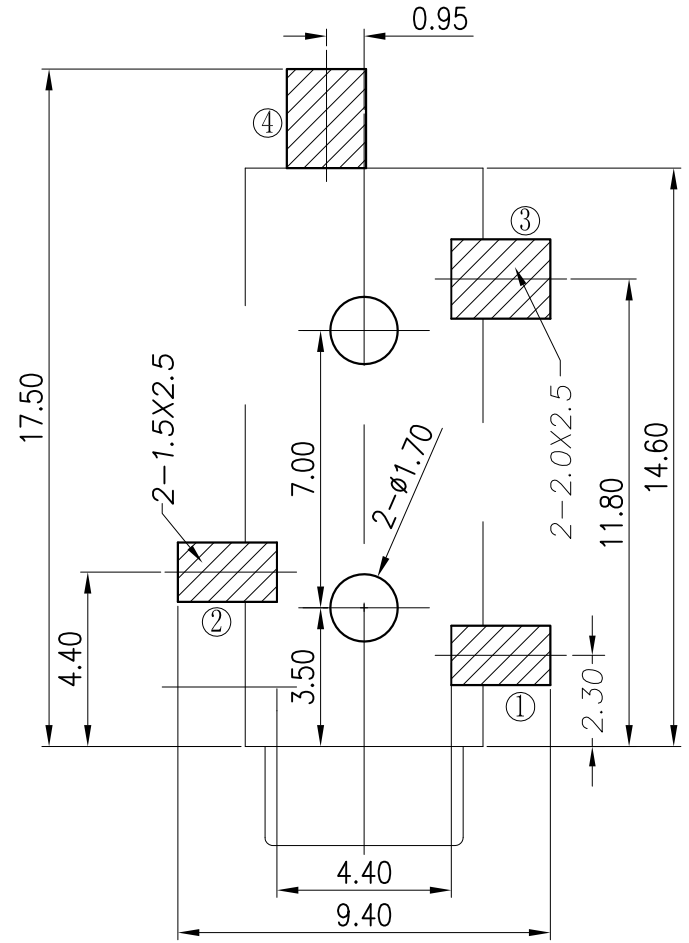
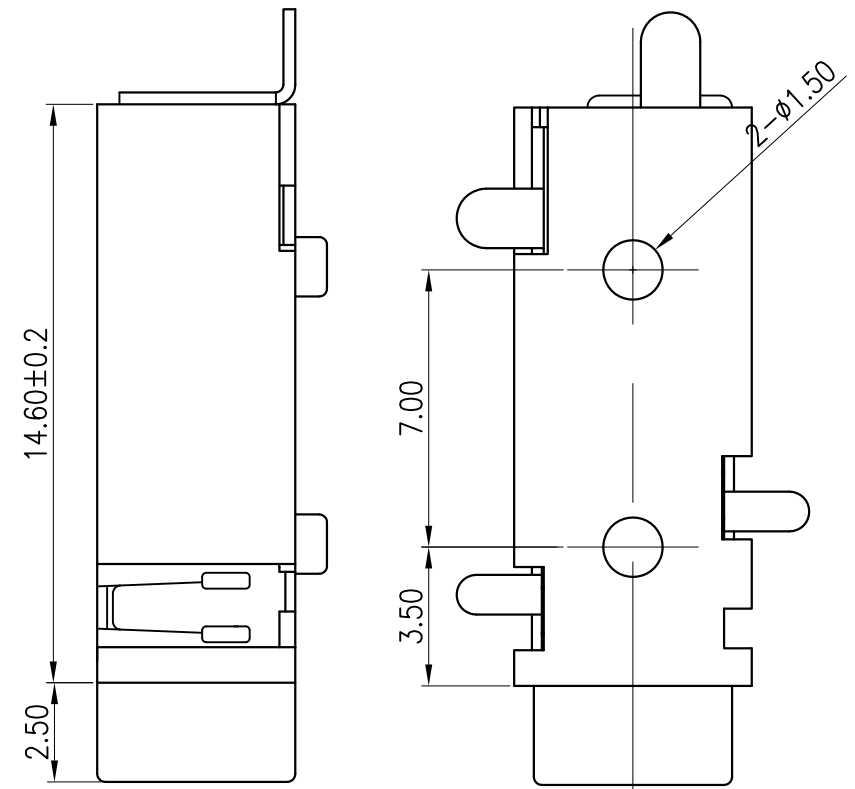
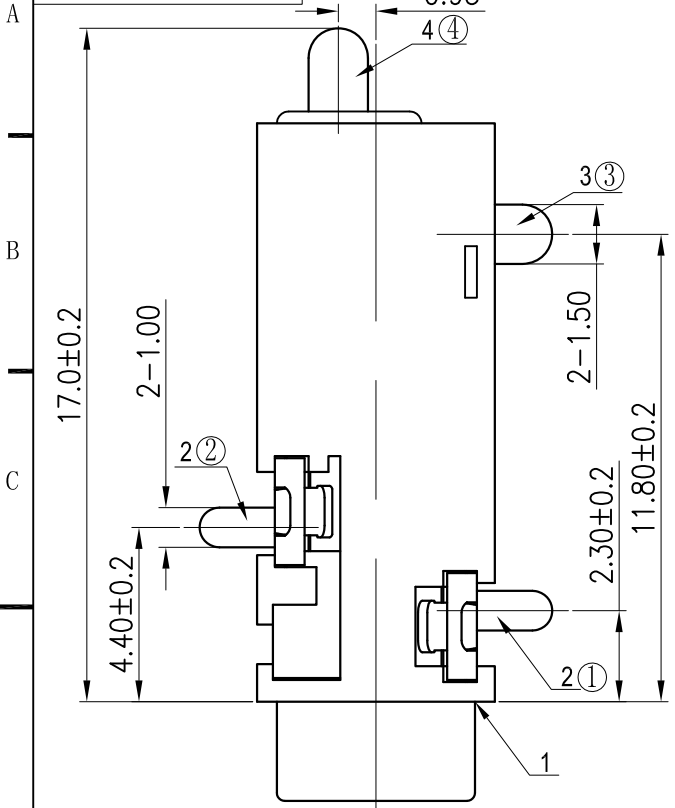
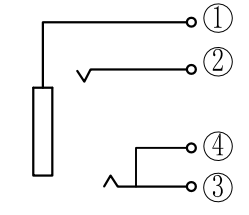
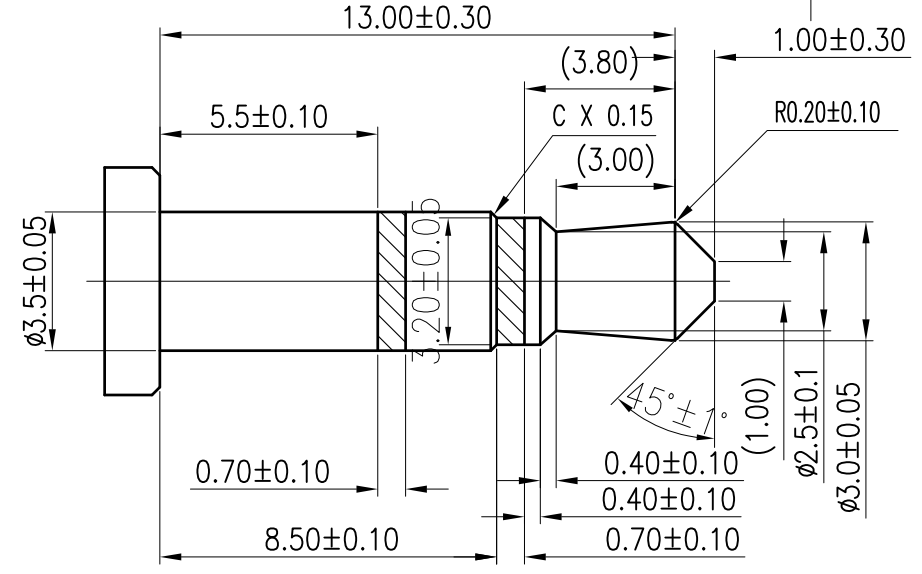
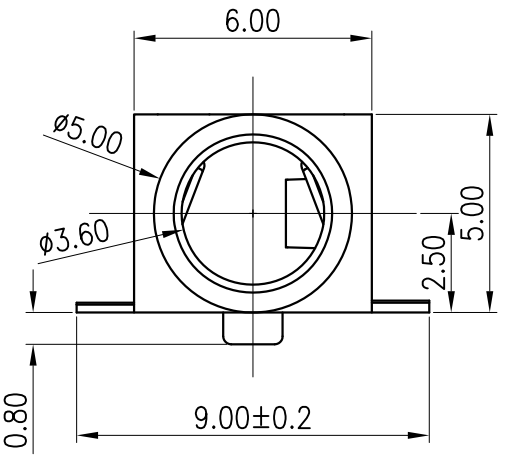


RoHS Compliant

REV	LTR	DISCRIPTION	DATE	REVISER	SHEET
A		NEW RELEASE	2016.06.21	Jiang REN	1/1



P. C. B LAYOUT TOP VIEW



- SPECIFICATION**
- 1.Rating:12V 1.0A
 - 2.Contact Resistance:≤30mΩ ohms
 - 3.Insulation Resistance:≥100mΩ ohms (DC500V)
 - 4.Withstand Voltage:500V AC
 - 5.Insertion And Extraction Force:3-30N
 - 6.Durability:5,000 cycles

FrelTec GmbH

4	Back Terminal	1	Phosphor Bronze	0.3T	Silver Plating
3	Spring	1	Phosphor Bronze	0.3T	Silver Plating
2	Middle Pin	2	Stainless Steel	0.2	Tin Plating
1	Base	1	PPA		Black
No.	Description	Q'TY	Materials	Specification	

TOLERANCE	ANGLE	TITLE: PHONE JACK 3.5mm			
.XXX ±0.10	.XXX°±1.0°	PART NO.:		DRAWING NO.:	
.XX ±0.15	.XX° ±2.0°	2B4PHJBPBPPSPBLL01SMT		CKX-3.5-3082-TA	
.X ±0.25	.X° ±3.0°	MOLD:	SCALE:	UNIT:	SIZE: REV.
		XXX	1:1	mm	A4 A
PROJECTION		APPROVED BY:	CHECKED BY:	DRAWING BY:	
		Vegas LIU	Liang ZHUO	Jiang REN	

