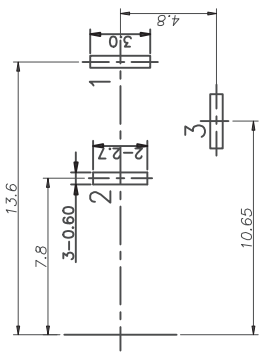
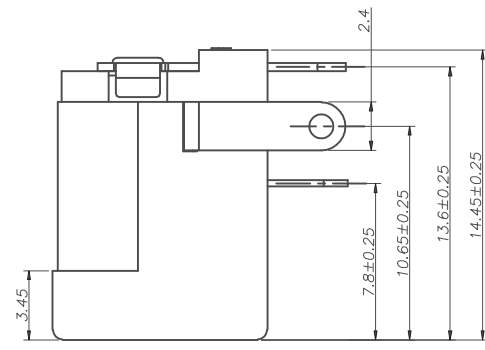
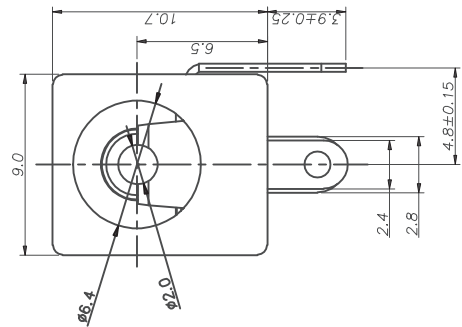
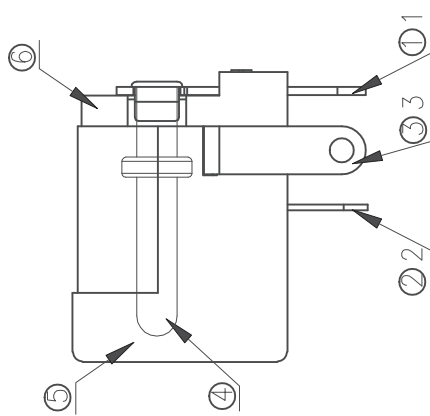
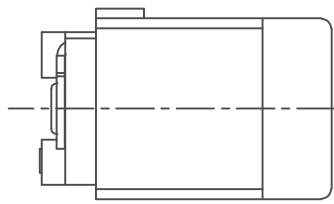
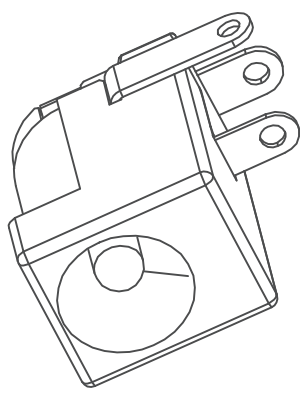


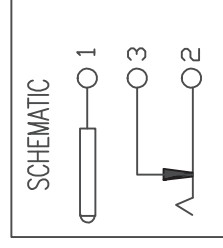
REV LTR	DESCRIPTION	DATE	REVISER	SHEET
A	NEW RELEASE	2020.03.03	JJIANG. REV	1/1



PCB LAYOUT TOP VIEW



3D View



SPECIFICATION

1. Rating : DC 12V 3.5A;
2. Contact resistance: $\leq 30m\Omega$;
3. Insulation resistance: $\geq 100M\Omega$ (DC500V);
4. Withstand voltage: 500VAC ;
5. Insertion and extraction force: 3-30N;
6. life test: 5,000 cycles;
7. Operation temperature range:-25℃~85℃;
8. REACH RoHS Compliant

FretTec GmbH

NO.	DESCRIPTION	QTY	MATERIAL	REMARK
⑥	COVER	1	PBT	BLACK
⑤	HOUSING	1	PBT	BLACK
④	PIN	1	Hb159-1.5	Ni-Plated
③	TERMINAL	1	BRASS t=0.30	CuSn-Plated
②	TERMINAL	1	PHOSPHOR BRONZE t=0.25	CuSn-Plated
①	TERMINAL	1	BRASS t=0.35	CuSn-Plated

ANGLE	±5°	TITLE:	DC JACK
	30°	PART NO.:	2B0D64BZPBCUBLP0AYTY
	10°-30°	DRAWING NO.:	DC-505-2.0
	~10°	MOLD:	XXX
PROJECTION		SCALE:	1 : 1
		UNIT:	mm
		SIZE:	A4
		REV.	A
		APPROVED BY	LLIANG. ZHUO
		CHECKED BY	S. XI
		SW. NO	