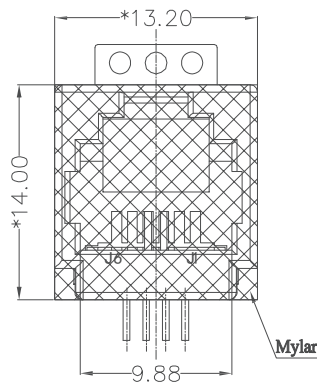
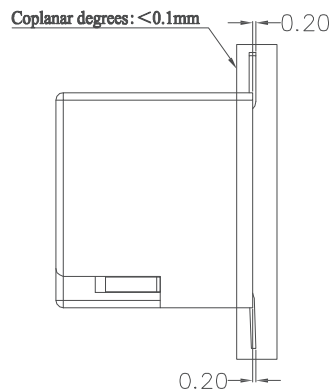


**REACH & RoHS  
COMPLIANT**

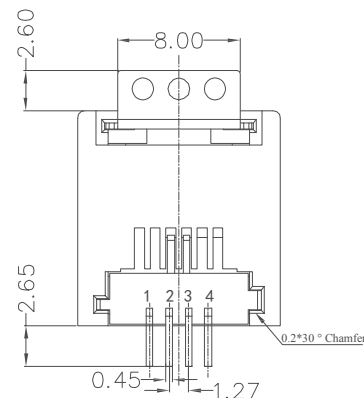
REV	LTR	DESCRIPTION	DATE	REVISER	SHEET
A		NEW RELEASE	2022. 01. 08	JIANG. REN	1/1



FRONT VIEW



RIGHT SIDE VIEW



BACK VIEW

**MATERIAL:**

HOUSING: LCP,UL94V-0,BLACK.

TERMINAL: PHOSPHOR BRONZE T=0.30MM,

3 U" GOLD PLATING ON CONTACT AREA.

**MACHANICAL:**

DURABILITY: 750 CYCLES MIN,12.5MM/MINUTE.

INSERTION FORCE: 2.2KG.F MAX.

RETENTION STRENGTH : 7.7KG.F BETWEEN JACK AND PLUG.

OPERATING TEMPERATURE: -40°C~+85°C.

STORAGE TEMPERATURE: -40°C~+85°C.

ALL CRITICAL DIMENSIONS WITH "\*"

**ELECTRICAL:**

VOLTAGE: 125 VOLTS AC.

CURRENT RATING : 1.5 AMP.

DIELECTRIC STRENGTH: 1000 VAC RMS 50HZ OR 60HZ,1MIN.

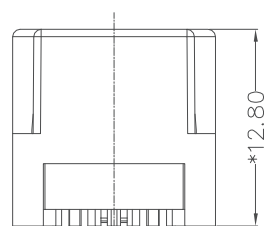
INSULATION RESISTANCE: 500 MEGA OHMS MIN. INITIAL

AFTER 500V DC FOR 1 MINUTE.

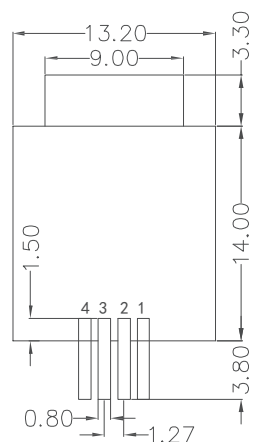
CONTACT RESISTANCE: SINGLE TERMINAL 30 MILLIOHMS MAX.

INITIAL 50 MILLIOHMS MAX. AFTER

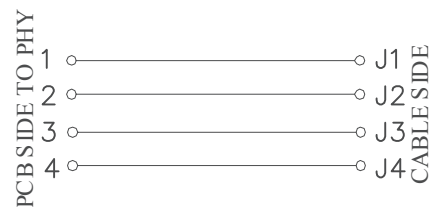
DURABILITY TEST.



BOTTOM VIEW



RECOMMENDED PCB LAYOUT  
VIEWED FROM COMPONENT SIDE



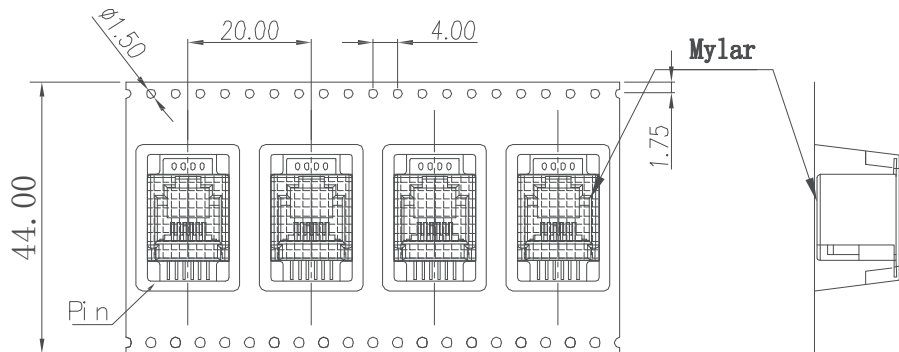
**FrelTec GmbH**

TOLERANCE	ANGLE	TITLE: Modular receptacle 6P4C No LED Unshielded			
.XXX ±0.10	.XXX° ±1.0°	PART NO. : 2B064RPBLC3UBLL0BWDS		DRAWING NO. : 52D1164IWW6SB3009	
.XX ±0.15	.XX° ±2.0°	MOLD: XXX	SCALE: 1 : 1	UNIT: mm	SIZE: A4
.X ±0.25	.X° ±3.0°	APPROVED BY SW. MO	CHECKED BY LIANG. ZHUO	REV. A	DRAWING BY K. Y. D



**REACH & RoHS COMPLIANT**

REV	LTR	DESCRIPTION	DATE	REVISER	SHEET
A		NEW RELEASE	2022.01.08	JIANG.REN	1/1



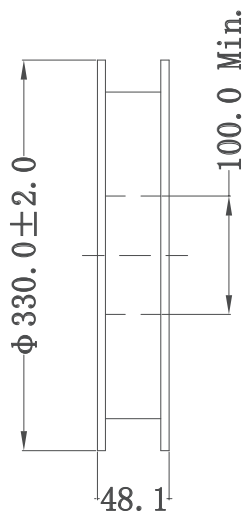
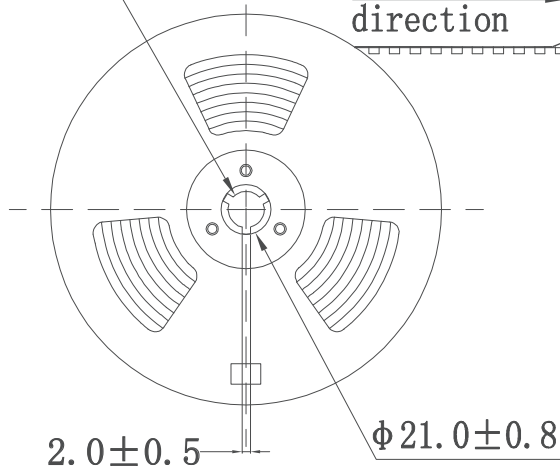
**NOTES:**

1. Accumulated tolerance range of center distance of 10 chain holes  $\pm 0.22\text{mm}$
2. Reverse curvature at 1mm 1 250mm
3. Materials: PS Transparent
4. Dimensions in accordance with EIA- 481-C requirement
5. Apply Dia. 330 plastic reel
6. Quantity per reel: 250 PCS
7. This product conforms to the ROHS & REACH environmental protection

TAPE RUNNING DIRECTION

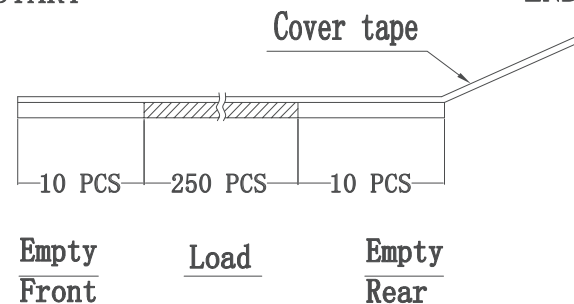
$\phi 13.0 \pm 0.2$

Feeding direction



START

END



**FrelTec GmbH**

TOLERANCE		ANGLE		TITLE:				
.XXX	$\pm 0.10$	.XXX°	$\pm 1.0^\circ$	52D SMT 6P 009 Tape & Reel				
.XX	$\pm 0.15$	.XX°	$\pm 2.0^\circ$	PART NO. :		DRAWING NO. :		
.X	$\pm 0.25$	.X°	$\pm 3.0^\circ$	2B064RPBLC3UBLL0BWDS		52D1164IWW6SB3009		
MOLD:		SCALE:		UNIT:		SIZE:		REV.
XXX		1 : 1		mm		A4		A
PROJECTION				APPROVED BY		CHECKED BY		DRAWING BY
				SW. MO		LIANG. ZHUO		K. Y. D