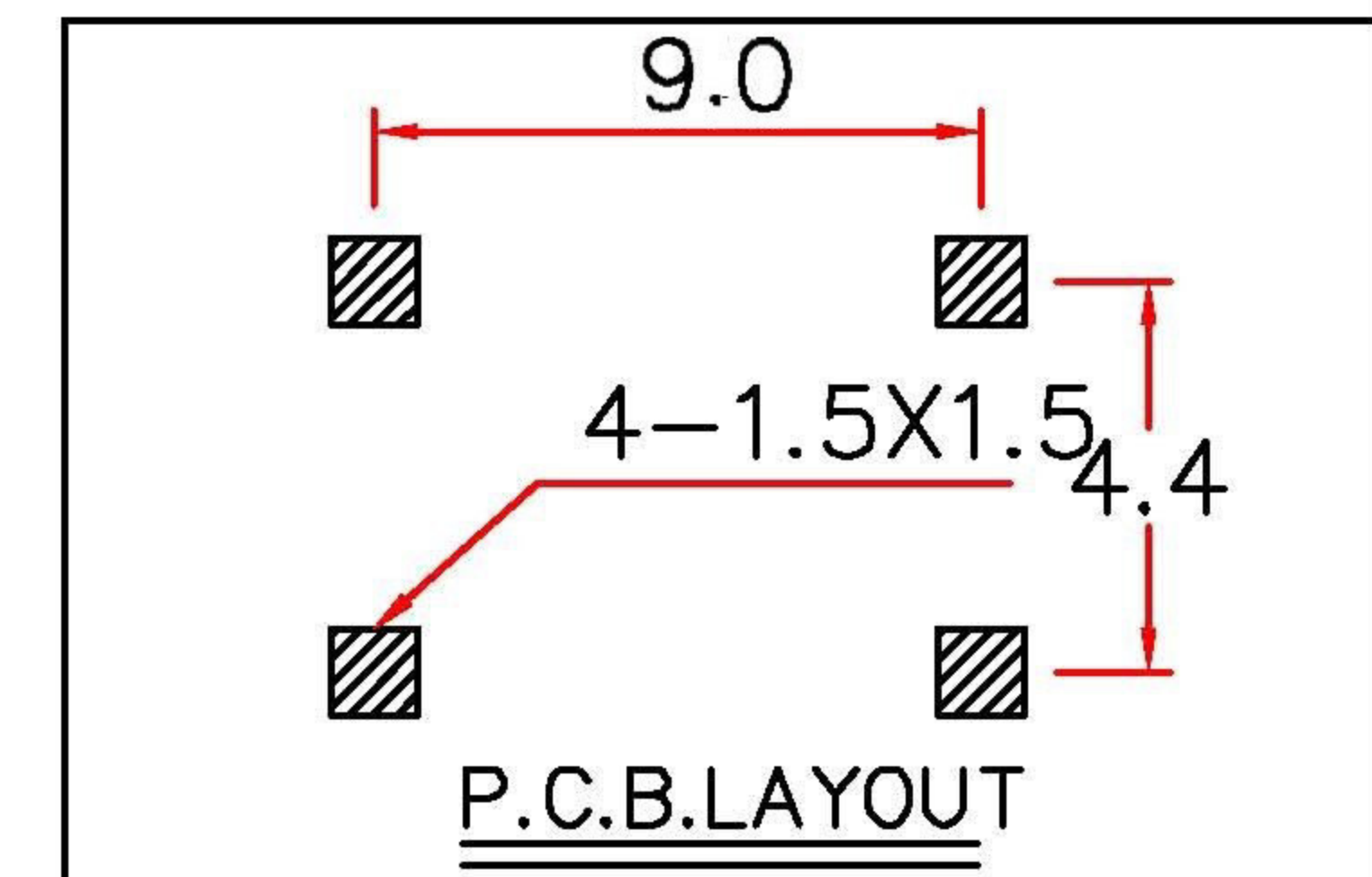
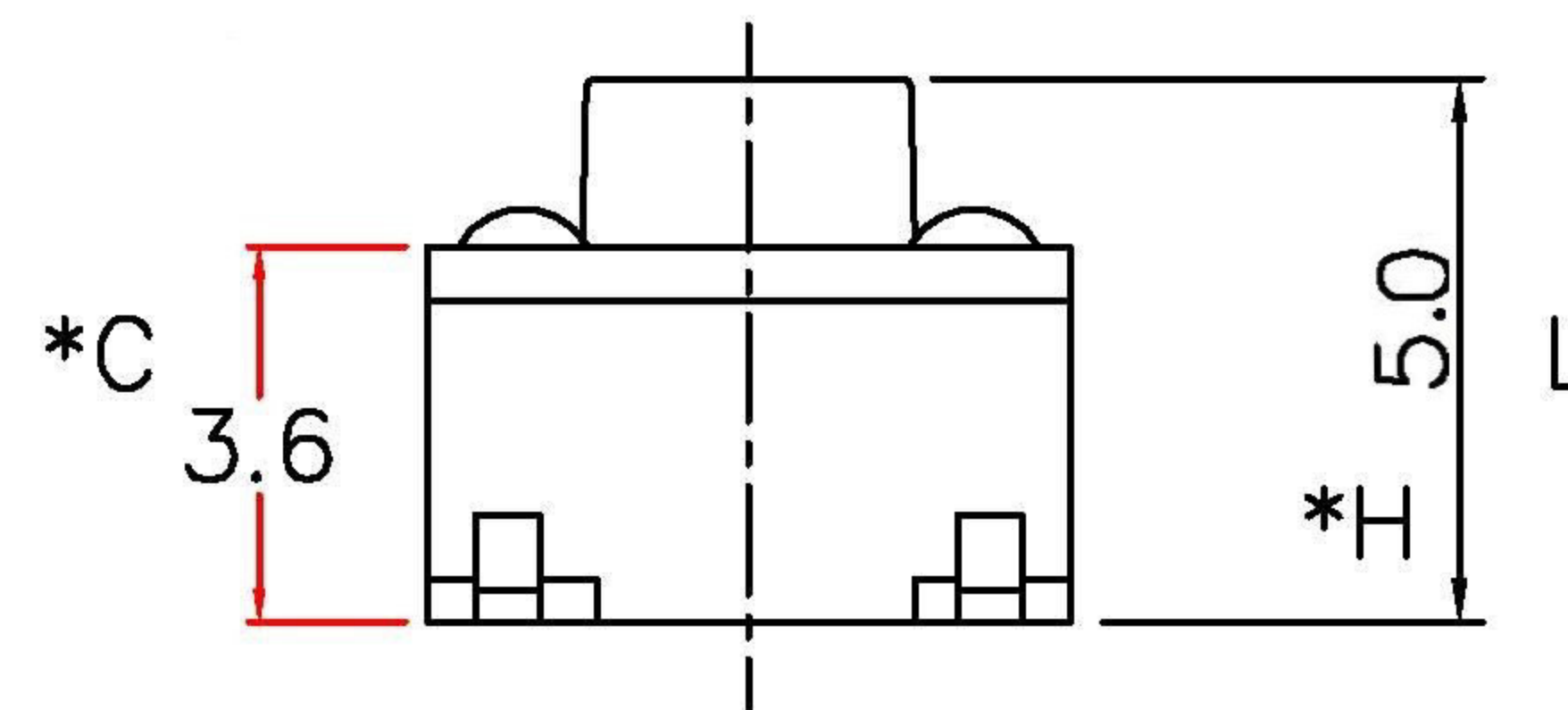
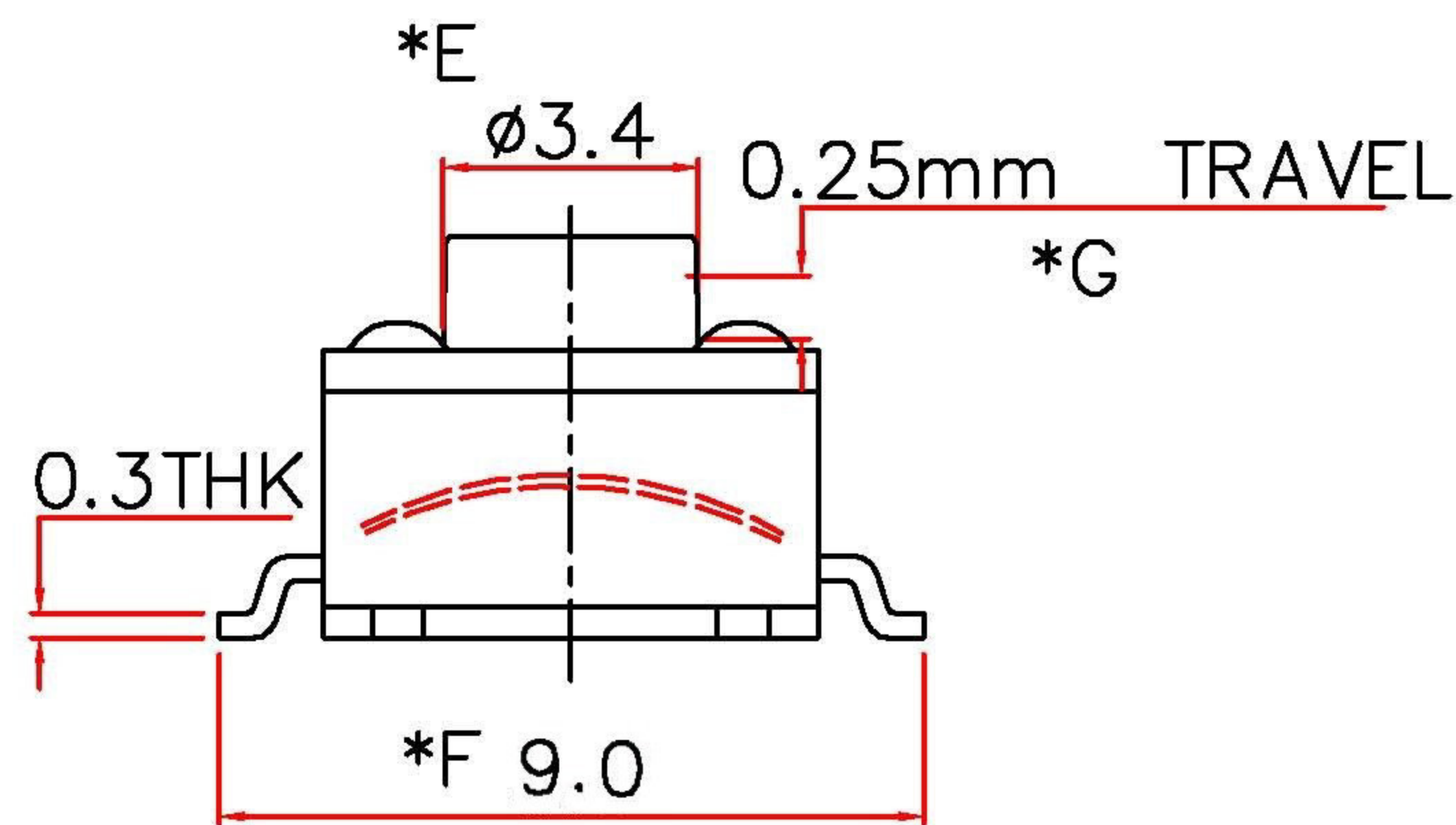
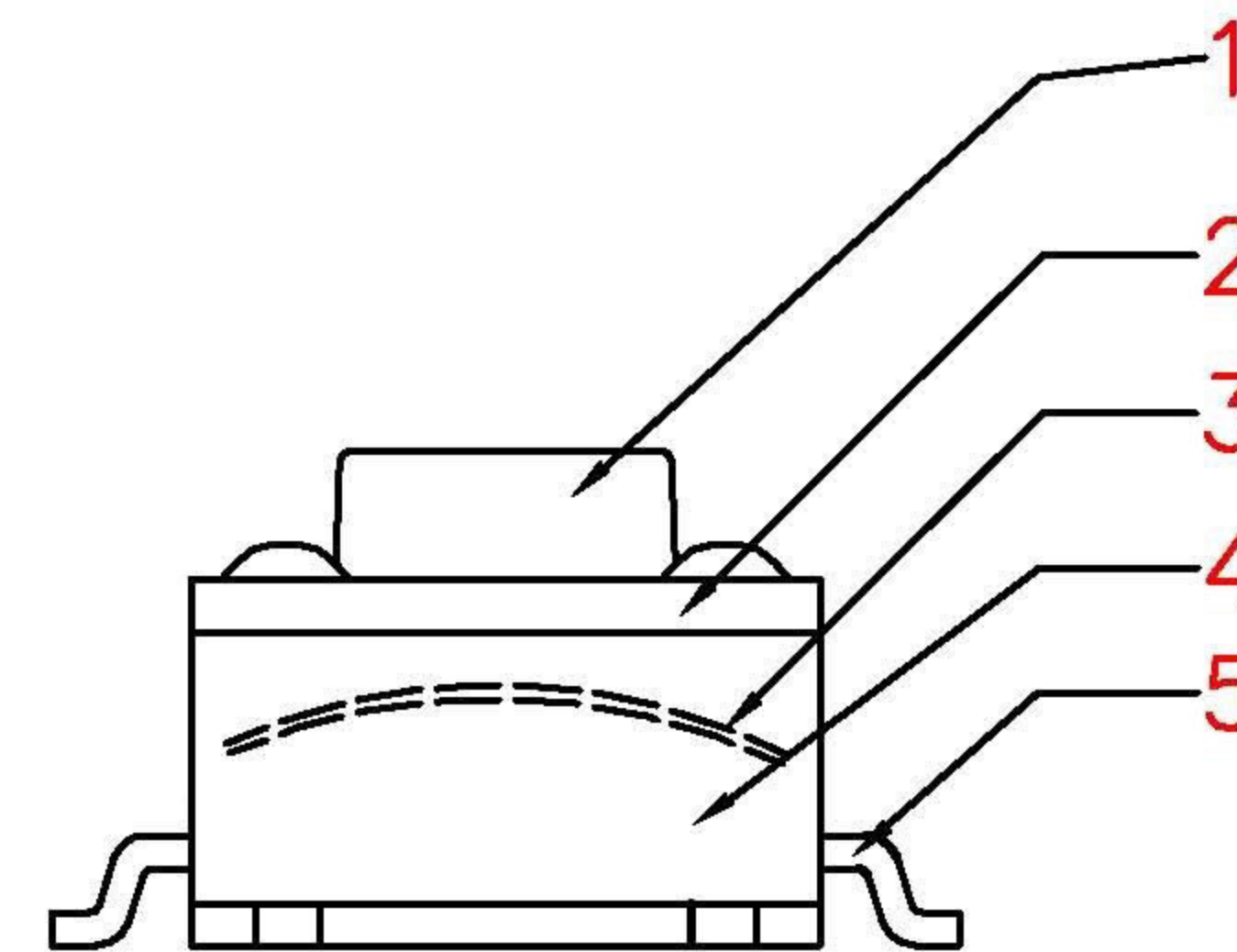


**Knob Height: 5.0mm**  
**Pin Pitch: 9.0mm**



\* CRITICAL DIMENSION

1. RATING: DC 12V 0.3A
2. CONTACT RESISTANCE: 50 Ohm
3. INSULATION RESISTANCE: 100Mohm at 500VDC
4. WITHSTAND VOLTAGE: AC 250V for 1min
5. FORCE: 160gf ± 30gf, 250gf ± 50gf
6. SWITCHING LIFE : 12,000 Cycles
7. PARKING: 1000 PCS/REEL

FrelTec GmbH					7						
					6						
SERIES : TACT SWITCH				DRAWING NO:	5	TERMINAL	BRASS	4	Ag PLATED		
PART NAME: 4S5TS66BLB01FN					4	BASE	PPA	1	BLACK		
UNIT : M M				DWN.	CHK'D	APPD.	GENERAL TOLERANCE				
SCALE : 5:1							3	CONTACT	SUS	1	Ag PLATED
DATE: 2017-12-05				WITHIN	OVER 0.XX±0.15mm	0.X±0.25mm	2	COVER	SUS	1	NATURAL
							1	KNOB	PPA	1	BLACK
				NO.	PART NAME	MATERIAL	QTY	FINISHING			