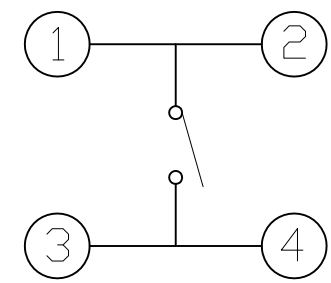
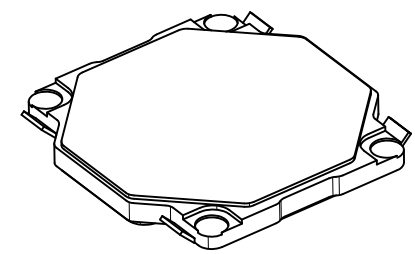
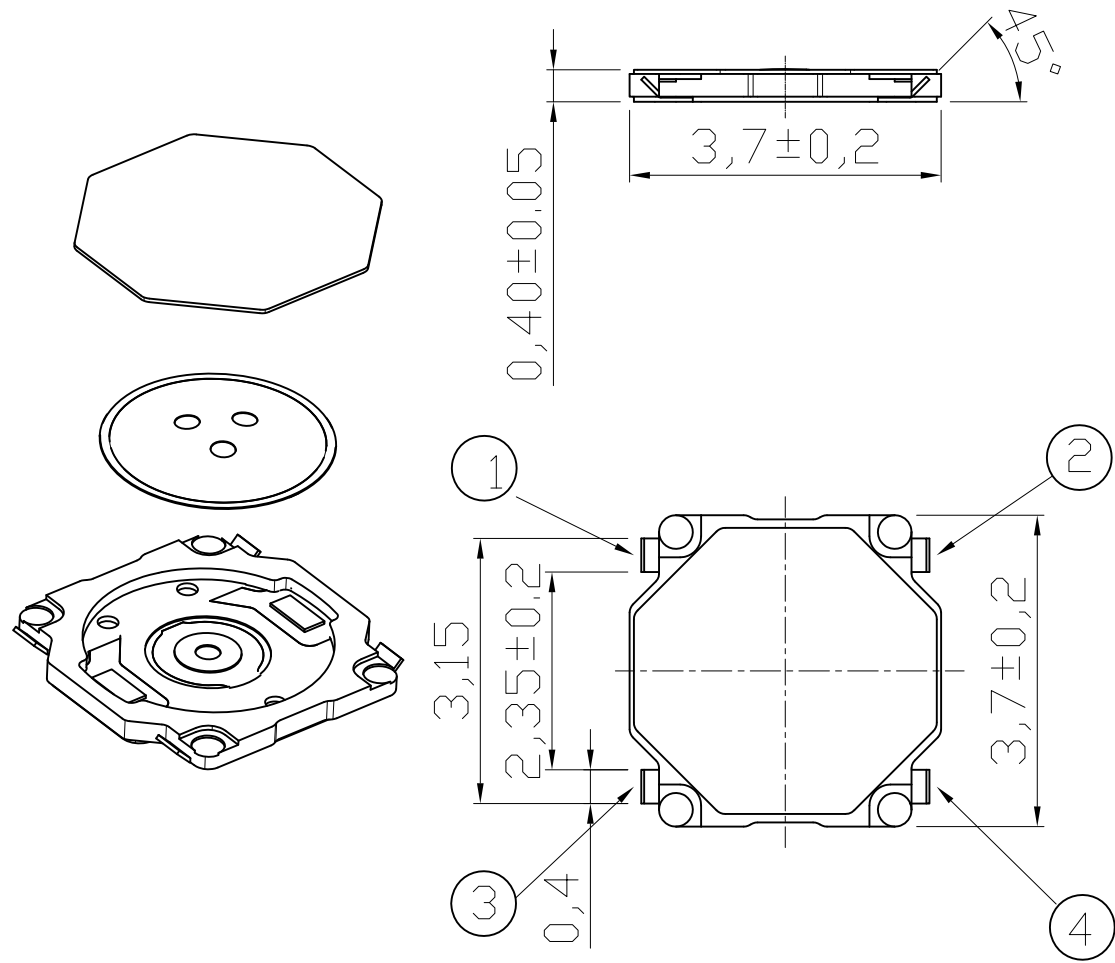
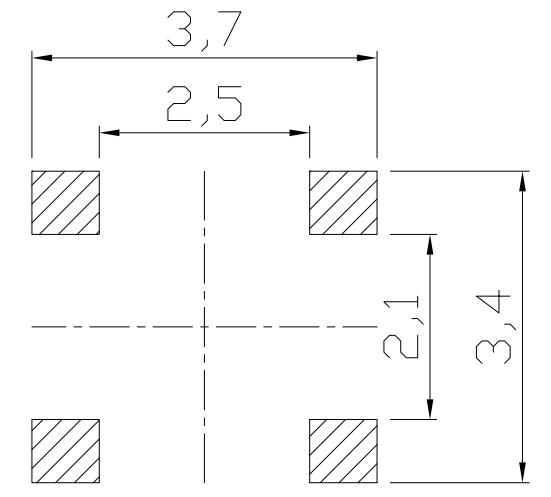


RoHS Compliant

REV	LTR	DISCRIPTION	DATE	REVISER	SHEET
A		NEW RELEASE	2016.06.21	Jiang REN	1/1



SCHEMATIC



PCB LAYOUT

- Specifications:
- 1.Current Rating: 50mA DC 12V
 - 2.Contact Resistance: $\leq 50m\Omega$
 - 3.Operating Force: $160 \pm 50gf$
 - 4.Travel: $0.15 \pm 0.1mm$
 - 5.Insulation Resistance: $\geq 100M\Omega$
 - 6.Withstand Voltage: 250V 50HZ 1Min.
 - 7.Durability: 100,000 Cycles

④	Waterproof Film	Polyimide Film	1	Yellow
③	Spring	Stainless Steel	1	Silver Coating
②	Terminals	Brass	1	Silver Plating
①	Base	LCP	1	Black
No.	Description	Material	Q'TY	Remark

FrelTec GmbH

TOLERANCE	ANGLE	TITLE: Tactile switch 3.7x3.7mm		
.XXX ±0.10	.XXX° ±1.0°	PART NO.: 4S0TS37BRSPBLL05YY		DRAWING NO.: TS-1506
.XX ±0.15	.XX° ±2.0°	MOLD: XXX	SCALE: 1:1	UNIT: mm
.X ±0.25	.X° ±3.0°	SIZE: A4	REV. A	
PROJECTION		APPROVED BY: Vegas LIU	CHECKED BY: Liang ZHUO	DRAWING BY: Jiang REN