

Model No.	POS.1	POS.2
PAS6	OFF	MOM
Term. Comm.	OPEN	SHORT
SCHMATIC		

**SWITCH FUNCTION**

PART NO.	PART NAME	Q'TY	
1	MNU- PA03	M12x0.75 SI NUTS	1
2	MNU-1M09	LOCKING WASHER	1
3	MSU- PA01	RUBBER WASHER	1

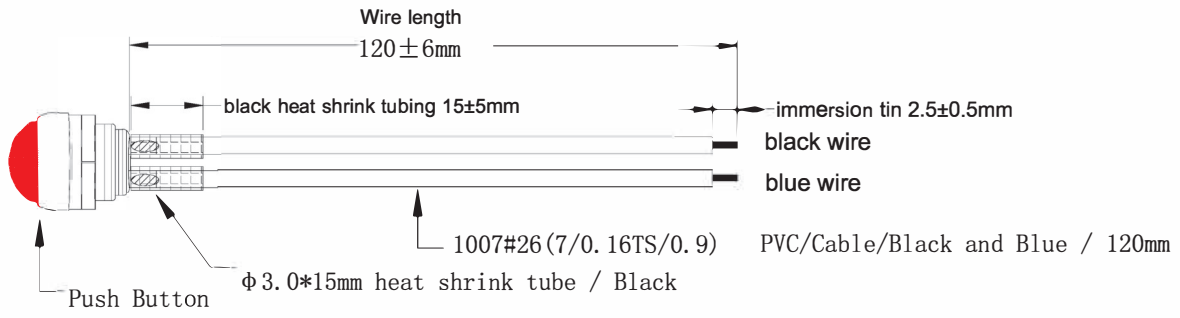
FILE NAME:HARDWARE-0011

**SPECIFICATIONS**

- Max. current/voltage rating with resistive load:** 400mA 32VAC - 100 mA 50VDC - 125 mA 125VAC.
- INITIAL CONTACT RESISTANCE:** 50 mΩ max.
- INSULATION RESISTANCE:** 1 GΩ min. at 500VDC.
- DIELECTRIC STRENGTH:** 1,000 VAC rms.
- ELECTRICAL LIFE AT FULL LOAD:** 500,000 cycles.
- PANEL THICKNESS:** 1.5 mm (.059) min. - 4 mm (.157) max.
- TOTAL TRAVEL:** 1.5 mm(.059).
- OPERATING FORCE:** 2N~5N.
- CONTACT BOUNCE:** 10 ms.
- MECHANICAL LIFE:** 1,000,000 cycles.
- TORQUE:** 0.5 Nm max. applied to nut.
- SOLDERING:** 350°C max. for 5 seconds.
- Waterproof:** IP67

**MATERIALS**

- CASE:** Dially phthalate (DAP)(UL94v-0).
- CAP:** Polyamide 6/6.
- BUSHING:** Polyamide 6/6.
- TERMINAL/CONTACTS:** Gold over silver plated.
- ROHS and Reach Compliant**



X=CAP COLOR	
1	White
2	Black
3	Red
4	Orange
5	Yellow
6	Green
7	Blue
8	Brown
9	Gray

**Solder wire Technical Requirements**

- Conduction test: 100% test, no short circuit/break/dislocation, instant poor contact;
- Test impedance: 5Ω (Max) on; Insulation 5MΩ (Min) /DC300V,0.1S;
- Environmental requirements: eliminate cross contamination, all materials must conform to ROHS2.0.

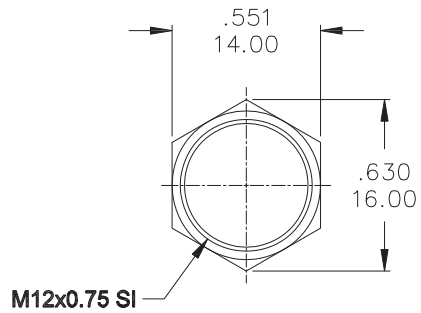
# FrelTec GmbH

TOLERANCE	ANGLE	TITLE: Sub-Miniatur Pushbutton Switches Wire harness			
.XXX ±0.15	.XXX° ±2.0°	PART NO. : 3COBTS6BB1BU00IP2QOE		DRAWING NO. : PAS6B2M1CAS5	
.XX ±0.25	.XX° ±3.0°	MOLD: XXX	SCALE: 1 : 1	UNIT: mm	SIZE: REV. A4 A
.X ±0.40	.X° ±5.0°	APPROVED BY Vegas LIU		CHECKED BY Liang ZHUO	DRAWING BY Hong. Ju

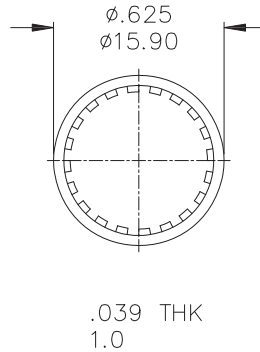
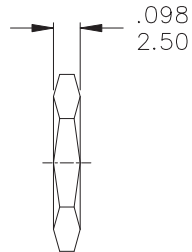


ROHS

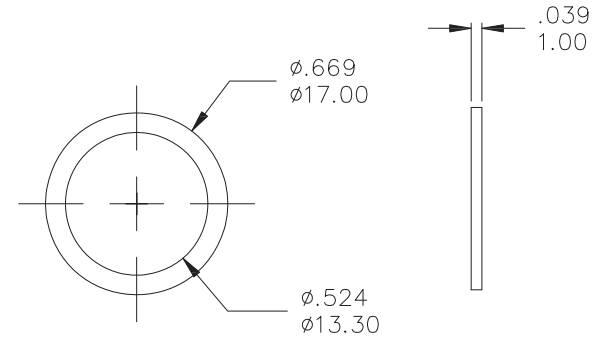
REV	LTR	DESCRIPTION	DATE	REVISER	SHEET
A		NEW RELEASE	2008.01.04	Jiang REN	1/1



MNU-PA03



MNU-1M09



MSU-PA01

	PART NO.	PART NAME	Q'TY
1	MNU- PA03	M12x0.75 SI NUTS	1
2	MNU-1M09	LOCKING WASHER	1
3	MSU- PA01	RUBBER WASHER	1

FrelTec GmbH

TOLERANCE		ANGLE		TITLE: Hardware			
.XXX	±0.15	.XXX°	±2.0°	PART NO. : 3COBTS6BB1BU00IP2QOE		DRAWING NO. : M12XRA	
.XX	±0.25	.XX°	±3.0°	MOLD: XXX	SCALE: 1 : 1	UNIT: mm	SIZE: A4
.X	±0.40	.X°	±5.0°	APPROVED BY Vegas LIU		CHECKED BY Liang ZHUO	DRAWING BY Hong. Ju