

FrelTec

Mathildenstr. 10A
82319 Starnberg
Germany

FrelTec

ESD
SOD523

SOD523

SPECIFICATION

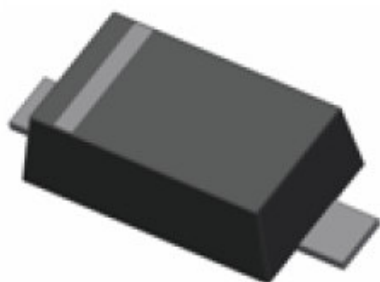
631	ESD5Z36Vxx	SD53	E03
Type	Type	Package	Packing
631: ESD	ESD5Z36V	SOD523	E03: Embossed tape and reel for 3k pc (7' Reel)

All products according to RoHS (2015/863/EU)

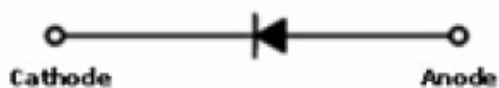
FrelTec

PACKAGE OUTLINE

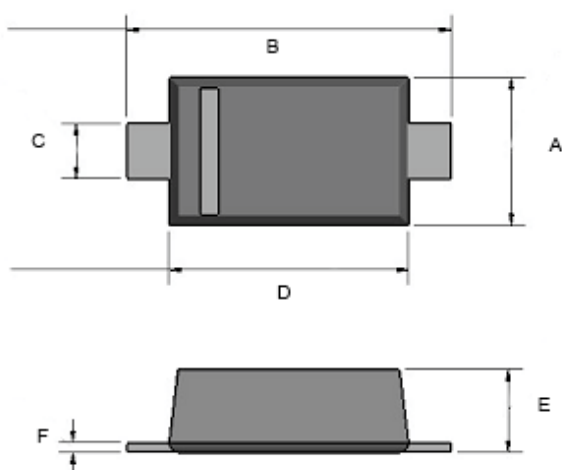
Green Product



SOD-523 Flat Lead



ELECTRICAL SYMBOL



DIM.	Unit(mm)	
	Min	Max
A	0,70	0,90
B	1,50	1,70
C	0,25	0,35
D	1,10	1,30
E	0,50	0,70
F		0,02

SOD523

Absolute Maximum Ratings $T_A = 25^\circ\text{C}$ unless otherwise noted

Symbol	Parameter	Value	Units
V_{pp}	IEC61000-4-2(ESD) Contact	± 25	KV
P_D	Power Dissipation (Note 1)	150	mW
T_{STG}	Storage Temperature Range	-55 to +150	$^\circ\text{C}$
T_J	Operating Junction Temperature	+150	$^\circ\text{C}$
T_L	Max Lead Solder Temperature range (10 Second Duration)	260	$^\circ\text{C}$

These ratings are limiting values above which the serviceability of the diode may be impaired.
Note 1. FR-5 = 1.0 x 0.75 x 0.62 in.

Electrical Characteristics $T_A = 25^\circ\text{C}$ unless otherwise noted

Device Type	V_{RWM} (Volts)	$I_R @ V_{RWM}$ (μA)	$V_{BR} @ I_T$ (Note 2) (Volts)	I_T (mA)	$V_C @ I_{PP+}=0.8\text{A}$ (Volts)	$C @ V_R = 0\text{V},$ $f = 1\text{MHz}$ (pF)
	Max	Max	Min		Max	Typ,
ESD5Z36V	36	1	40	1,0	57	20

SURGE CURRENT WAVEFORM:

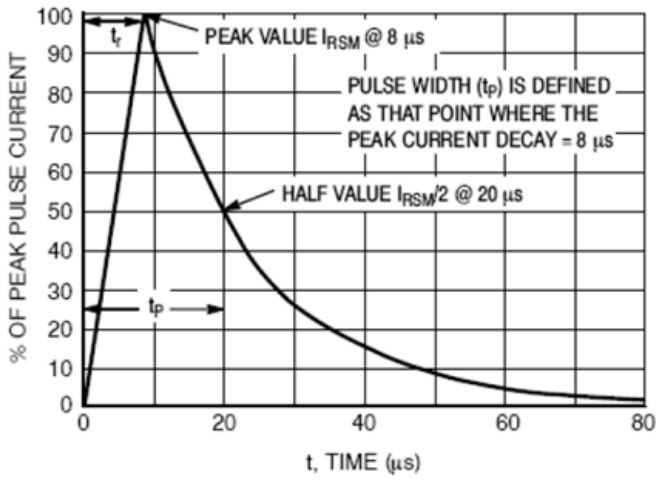
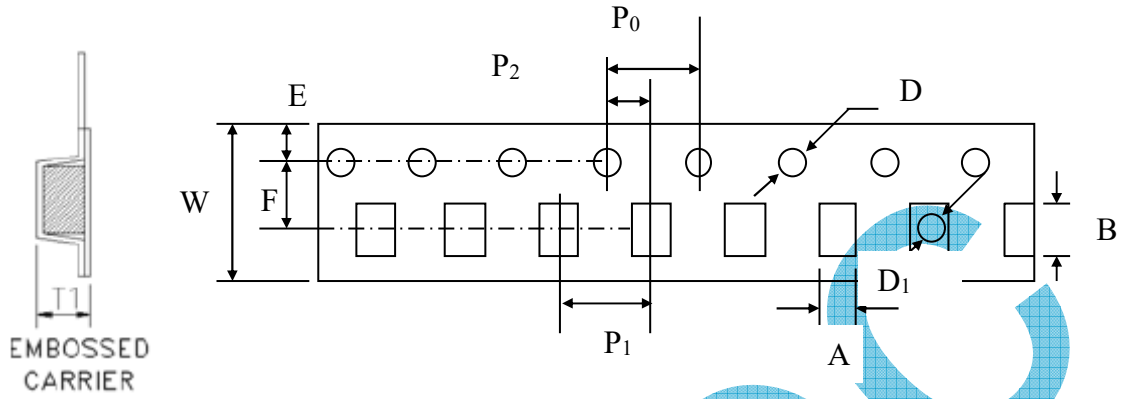


Figure 1. 8 x 20 µs Pulse Waveform

FrelTec

SPECIFICATION

Tape And Reel Package



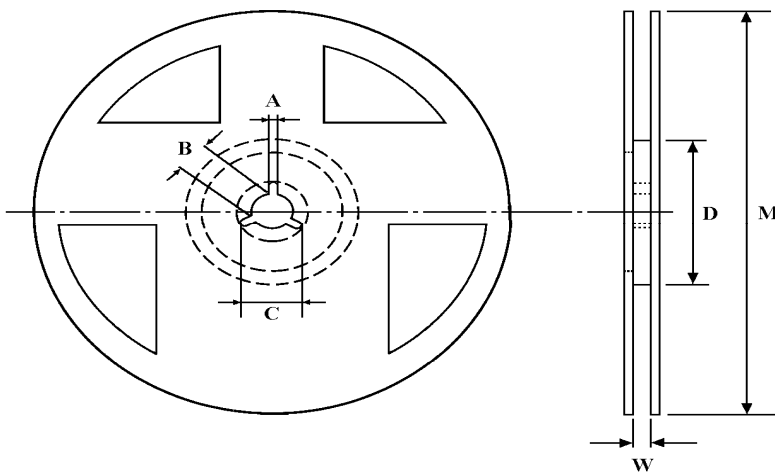
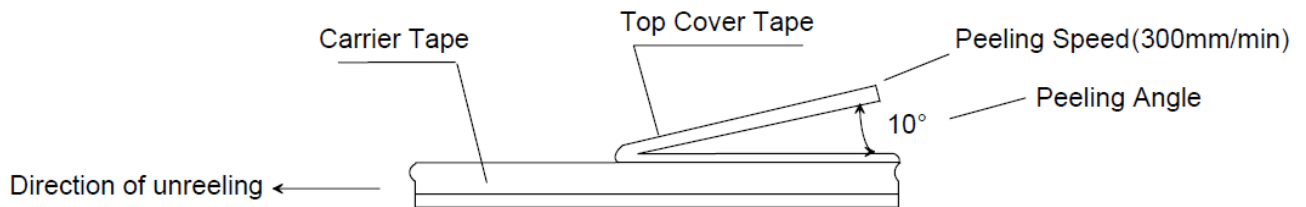
Type	A	B	W	E	F	P ₀	P ₁	P ₂	ΦD	ΦD ₁	T1
	1,85 ±0,1	3,94 ±0,1	8 ±0,30	1,75±0,01	3,5 ±0,05	4,00±0,10	4,00±0,10	2,00±0,05	1,55±0,03	1,5	1,58 ±0,1

FrelTec

SOD523

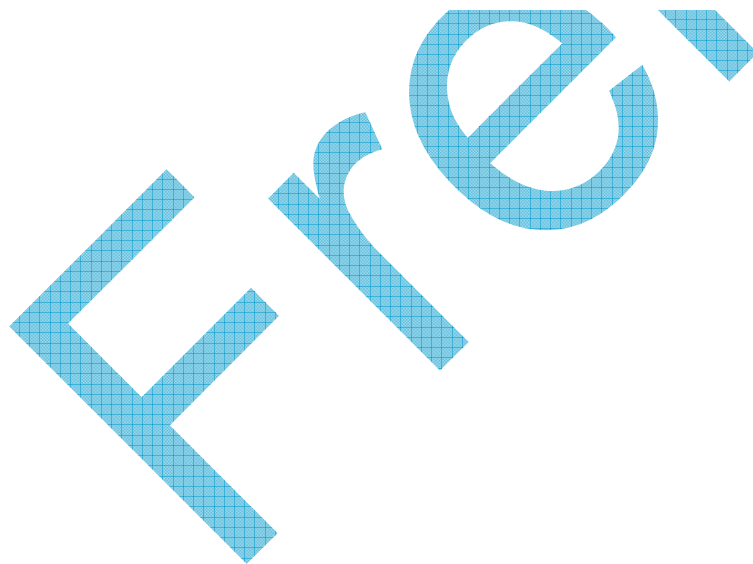
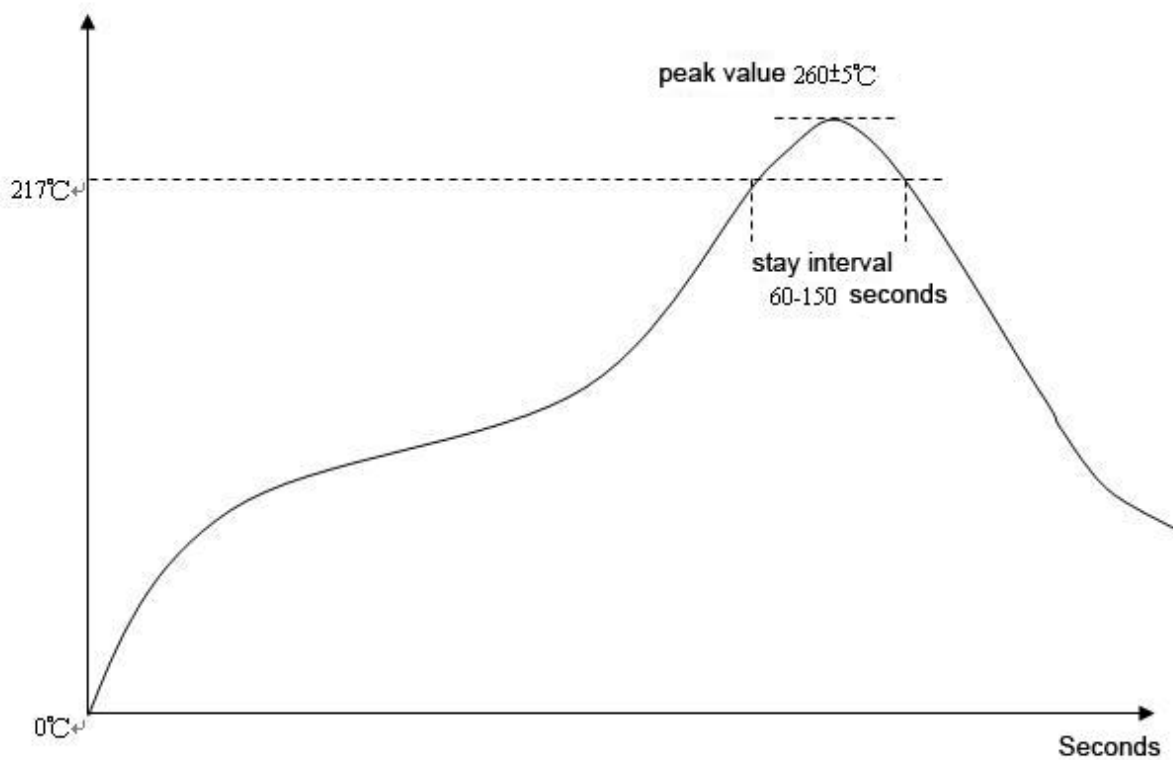
Cover Tape Peel off Strength

Specifications: peel force of top cover tape shall be between 8 to 40g
The peel speed shall be about 300mm/min±5%



Type	Packaging	M	A	B	C	D	W	T
	Embossed	178,0±1,0	2±0,5	13,5±0,7	21±0,5	60,0±1,0	13,5±1,0	15,5±1,0

Lead Free Reflow Soldering Profile



Stock period

The performance of these products, including the solderability, is guaranteed for 12 month, provided that they remain packed as they were when delivered and stored at a temperature of 25°C ± 3°C and a relative humidity less than 80%RH

Published by FrelTec® GmbH
Mathildenstr. 10A; 82319 Starnberg; Germany
© 2021 FrelTec® GmbH. All Rights Reserved.

The following applies to all products named in this publication:

1. The information describes the type of component and shall not be considered as assured characteristics.
2. Terms of delivery and rights to change design reserved.
3. Some parts of this publication contain statements about the suitability of our products for certain areas of application. These statements are based on our knowledge of typical requirements that are often placed on our products in the areas of application concerned. Nevertheless, we explicitly point out that such statements cannot be regarded as binding statements about the suitability of our products for a particular customer application. As a rule, FrelTec® is either unfamiliar with individual customer applications or less familiar with them than the customers themselves. For these reasons, it is always ultimately incumbent on the customer to check and decide whether a FrelTec® product with the properties described in the product specification is suitable for use in a particular customer application.
4. We also point out that in individual cases, a malfunction of electronic components or failure before the end of their usual service life cannot be completely ruled out in the current state of the art, even if they are operated as specified. In customer applications requiring a very high level of operational safety and especially in customer applications in which the malfunction or failure of an electronic component could endanger human life or health (e.g. in accident prevention or life-saving systems), it must therefore be ensured by means of suitable design of the customer application or other action taken by the customer (e.g. installation of protective circuitry or redundancy) that no injury or damage is sustained by third parties in the event of malfunction or failure of an electronic component.
5. The warnings, cautions and product-specific notes must be observed.
6. In order to satisfy certain technical requirements, some of the products described in this publication may contain substances subject to restrictions in certain jurisdictions (e.g. because they are classed as "hazardous"). Useful information on this will be found in our Material Data Sheets. Should you have any more detailed questions, please contact our sales offices.
7. We constantly strive to improve our products. Consequently, the products described in this publication may change from time to time. The same is true for the corresponding product specifications. Please check therefore to what extent product descriptions and specifications contained in this publication are still applicable before or when you place an order. We also reserve the right to discontinue production and delivery of products. Consequently, we cannot guarantee that all products named in this publication will always be available.
8. Unless otherwise agreed in individual contracts, all orders are subject to the current version of the "General conditions for the supply of products and services of the electrical and electronics industry" published by the German Electrical and Electronics Industry Association (ZVEI), available at www.freltec.com.
9. As far as patents or other rights of third parties are concerned, liability is only assumed for components per se, not for applications, processes and circuits implemented within components or assemblies.
10. The trade name FrelTec® is a trademark registered or pending in Europe and in other countries.